



*Welcome to PEEEB*

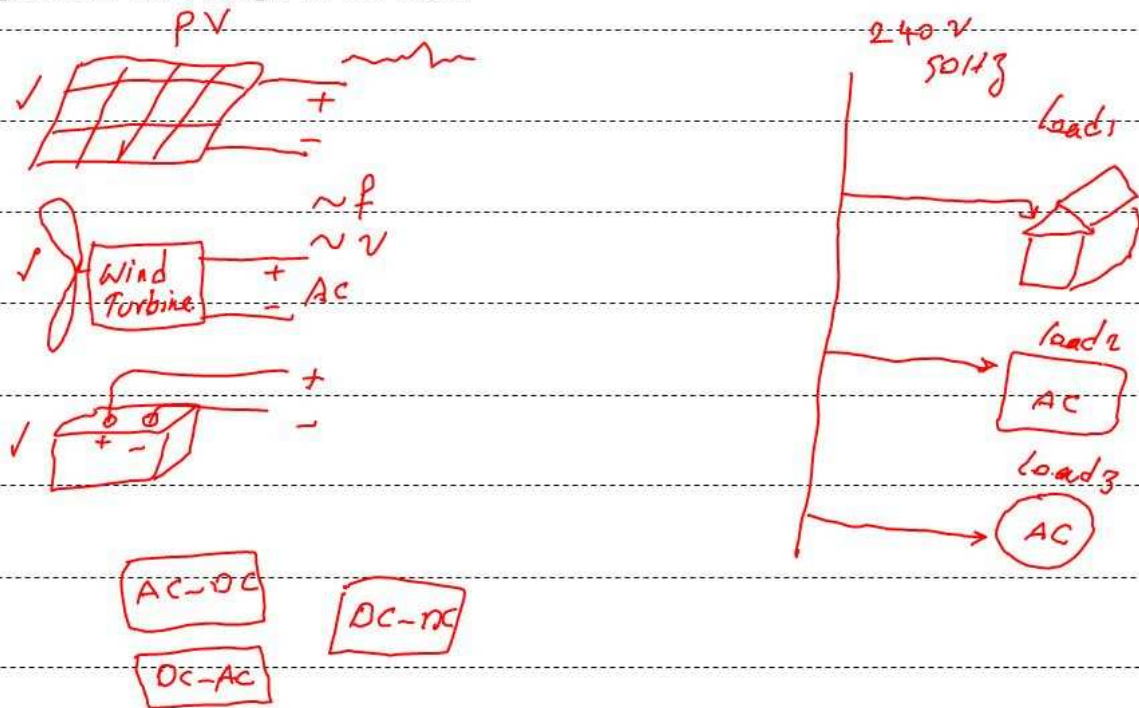


*Tutorial 1: Introduction*

*Presenter: Dr. Firuz Zare*

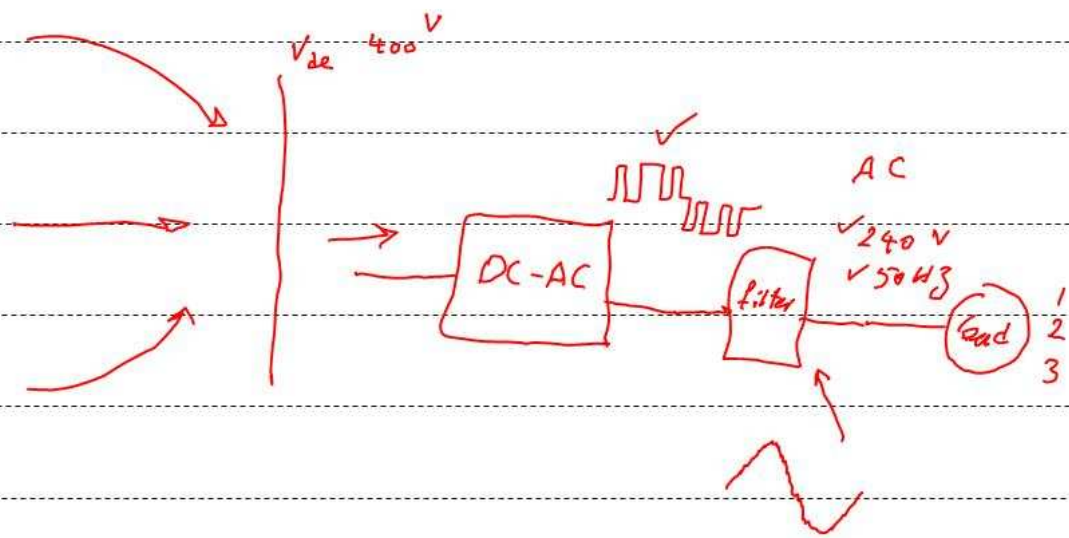
*[www.peeeb.com](http://www.peeeb.com)*

Q1: In a Hybrid power system, a PV system, a wind turbine and a battery deliver power to different loads in an isolated area. Design a power electronic system to generate AC voltage for the load.



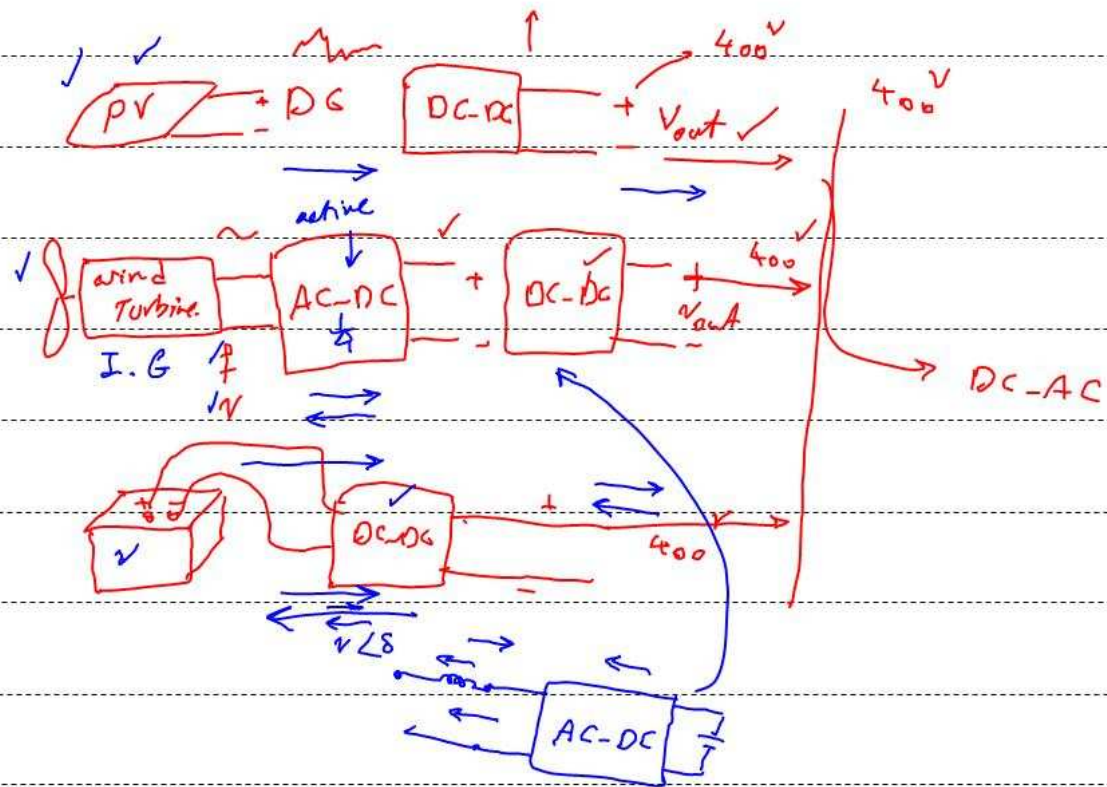
Presenter: Dr. Firuz Zare

[www.pceeb.com](http://www.pceeb.com)



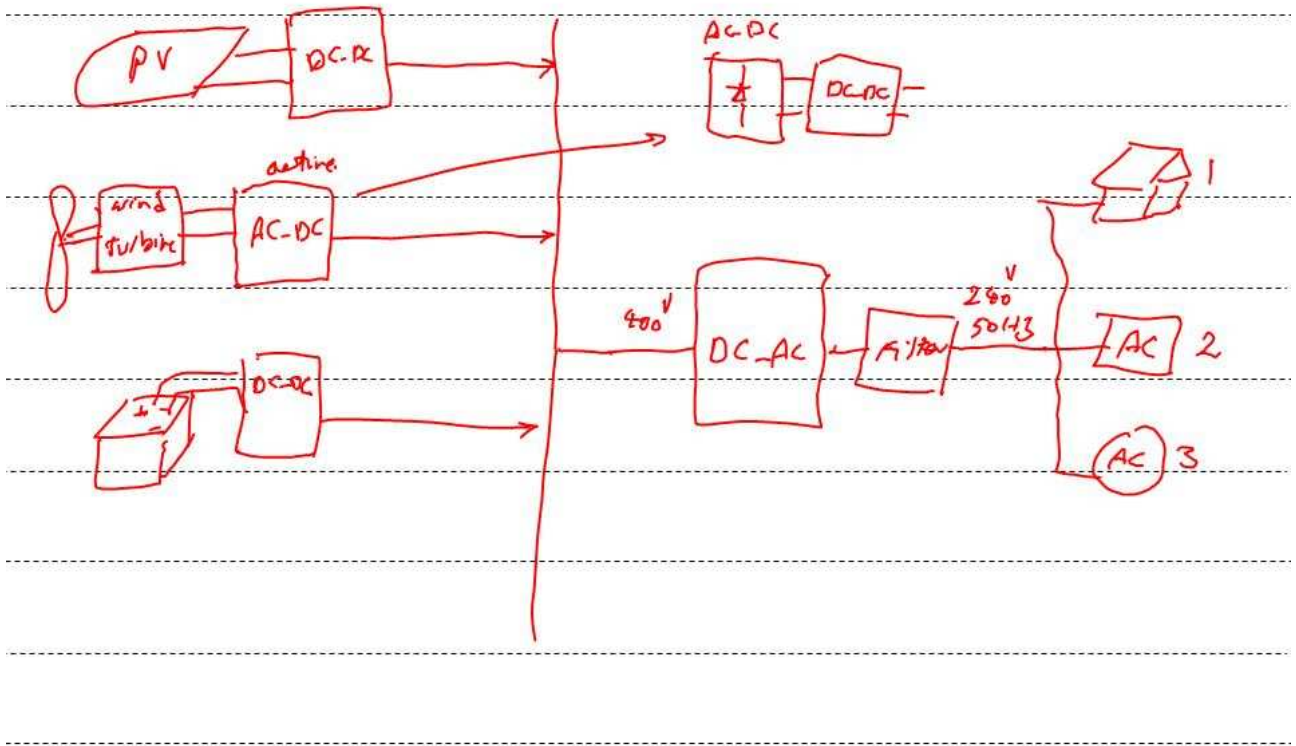
Presenter: Dr. Firuz Zare

[www.pceeb.com](http://www.pceeb.com)



Presenter: Dr. Firuz Zare

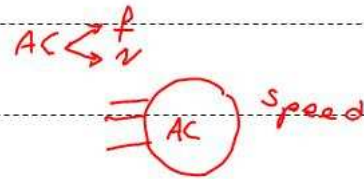
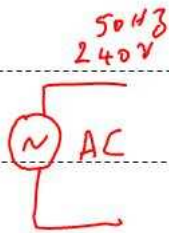
[www.pceeb.com](http://www.pceeb.com)



Presenter: Dr. Firuz Zare

[www.pceeb.com](http://www.pceeb.com)

Q2: What is a Power Electronic system used in an AC motor drive?



DC-DC

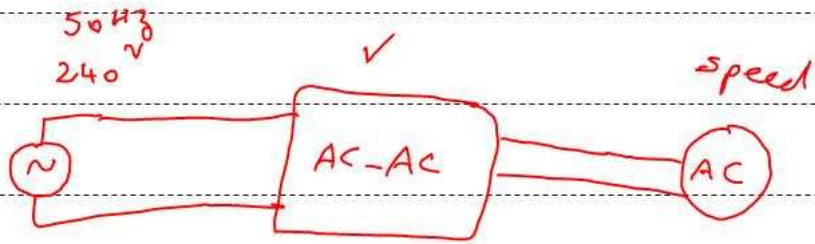
DC-AC

AC-DC

AC-AC

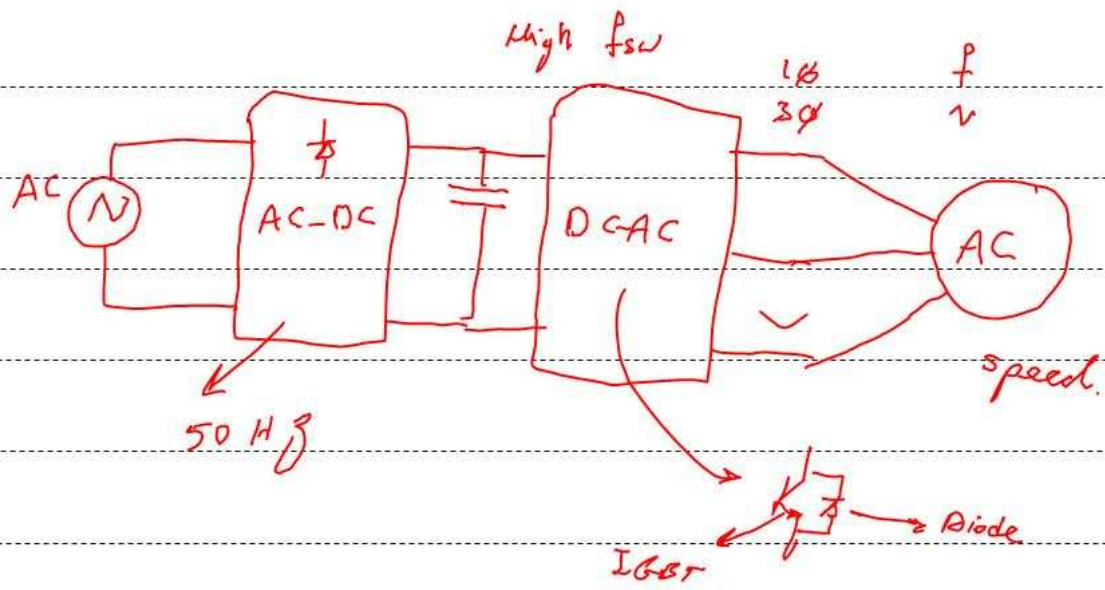
*Presenter: Dr. Firuz Zare*

*www.pceeb.com*



Presenter: Dr. Firuz Zare

[www.peeeb.com](http://www.peeeb.com)



Presenter: Dr. Firuz Zare

[www.pceeb.com](http://www.pceeb.com)